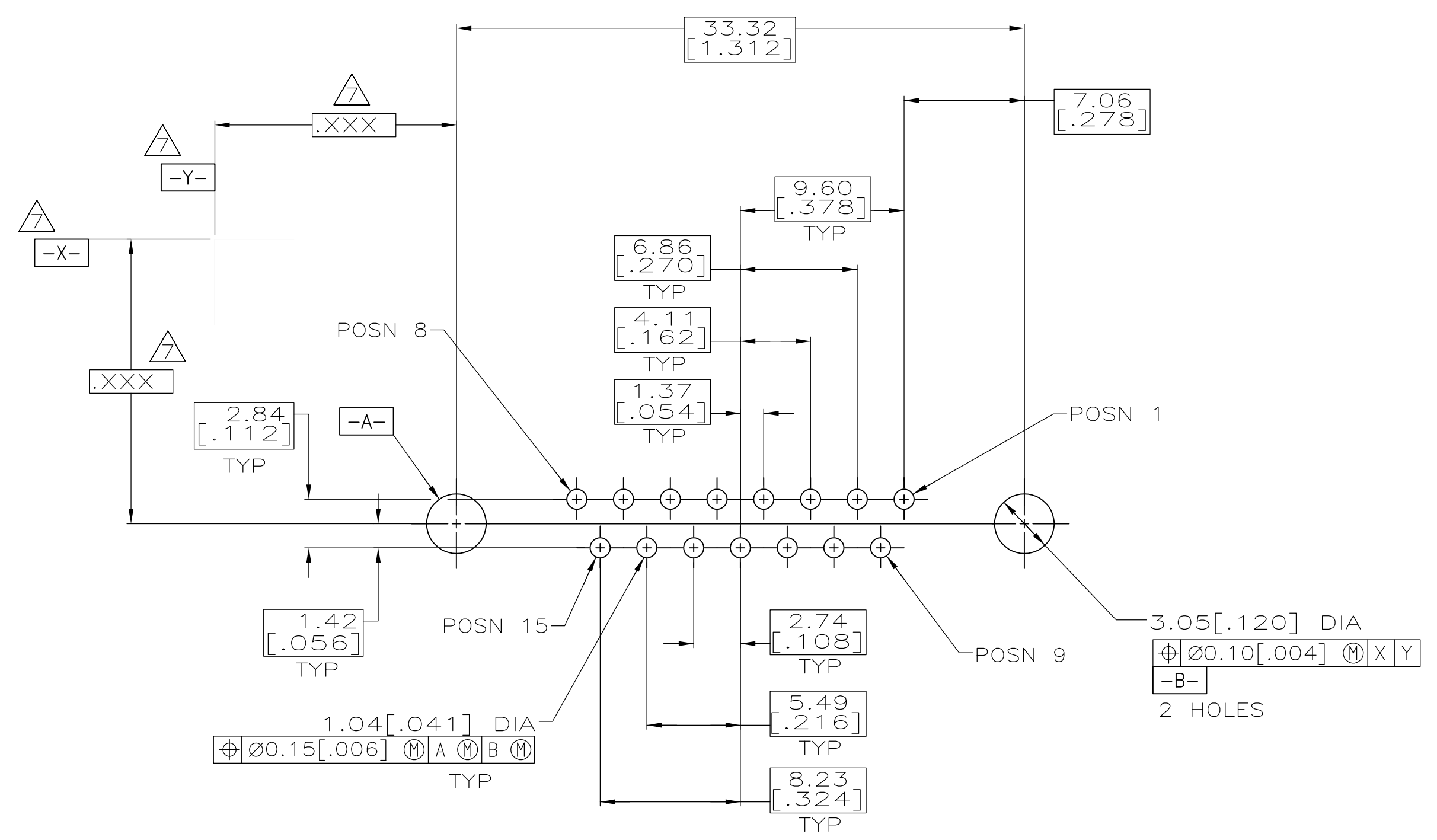
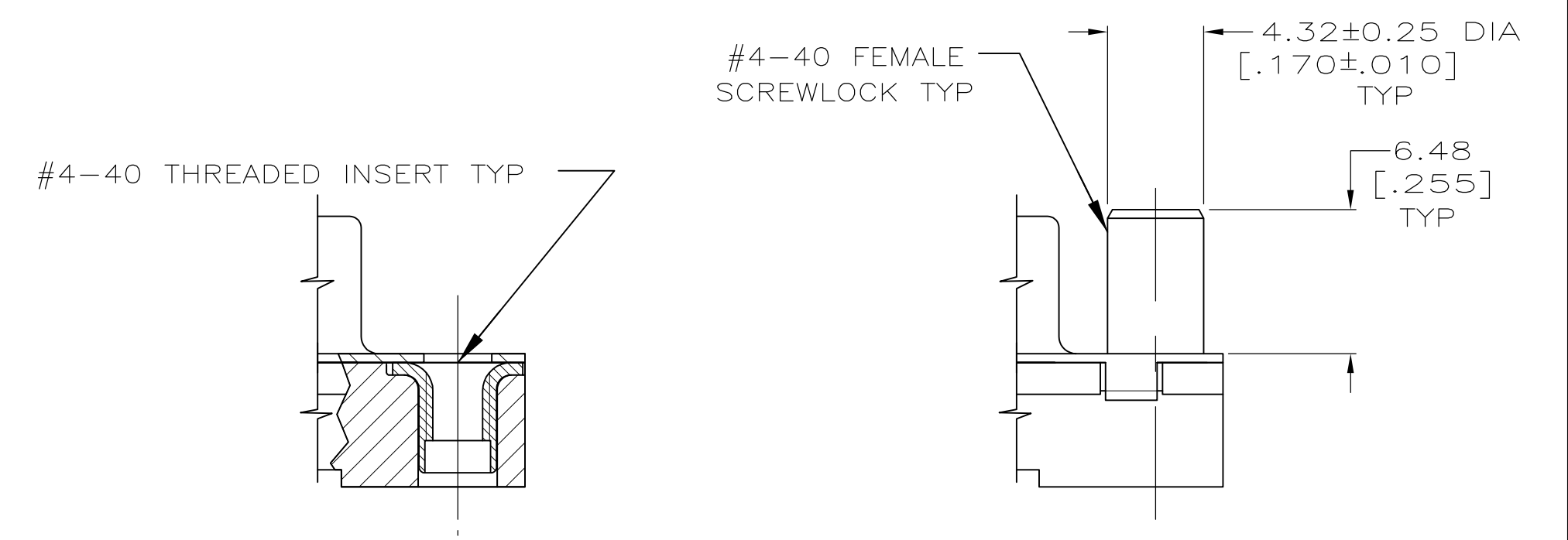
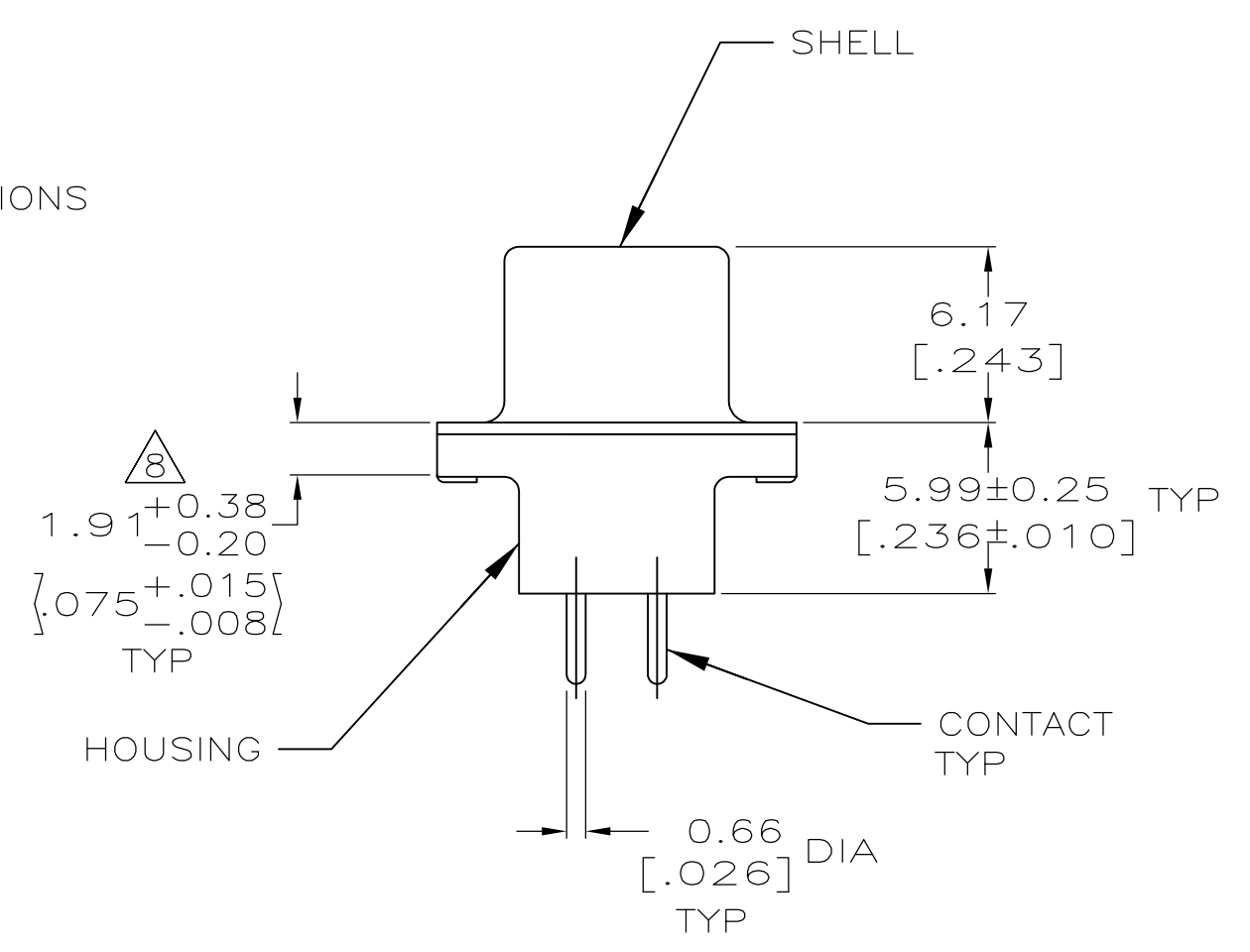
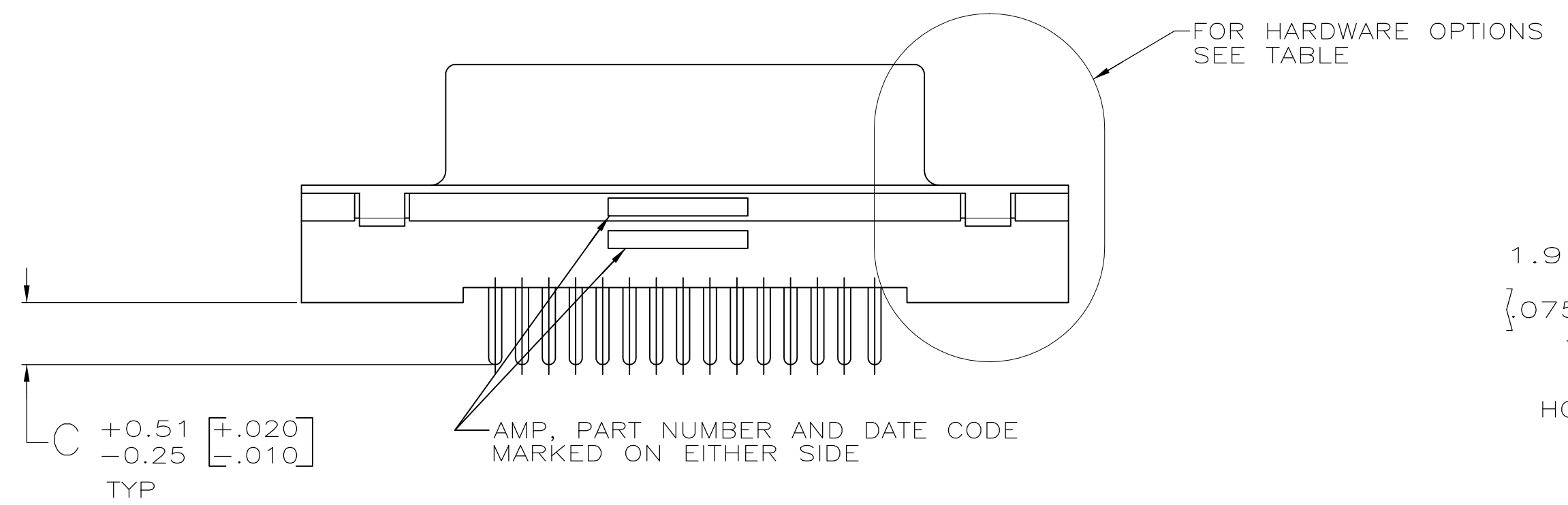
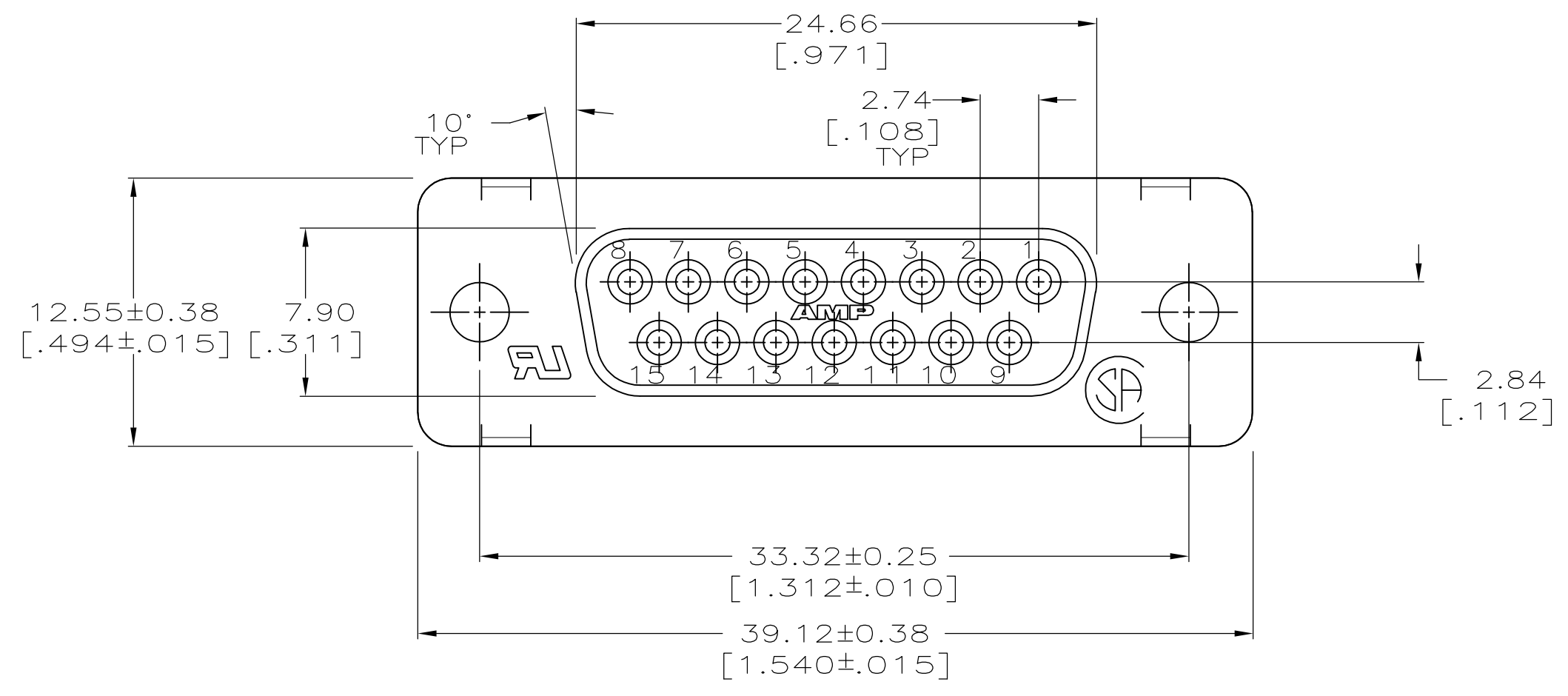


- ▲ POLYESTER, UL 94V-0 RATED, BLACK.
- ▲ CARBON STEEL.
- ▲ 5.08um [.000200] MIN TIN OVER 2.54um [.000100] MIN COPPER.
- ▲ GOLD FLASH FOR A LENGTH OF 2.54[.100] MIN FROM MATING END, 2.54um [.000100] MIN TIN OR TIN-LEAD ON OPPOSITE END, BOTH OVER 1.27um [.000050] MIN NICKEL.
- ▲ 0.76um [.000030] MIN GOLD FOR A LENGTH OF 2.54 [.100] MIN FROM MATING END, 2.54um [.000100] MIN TIN OR TIN-LEAD ON OPPOSITE END, BOTH OVER 1.27um [.000050] MIN NICKEL.
- ▲ NOTE DELETED.
- ▲ DATUMS AND BASIC DIMENSIONS ESTABLISHED BY CUSTOMER.
- ▲ 2.79[.110] MAX IN SHELL TAB CLINCH AREAS.
- ▲ OBSOLETE PART NUMBER.
- ▲ 10 SUPSD BY 747299-2.
- ▲ 11 SUPSD BY 1-747299-6.



RECOMMENDED PC BOARD MOUNTING DIMENSIONS

W/FEMALE SCREWLOCKS PER DETAIL E	▲5	4.32 [0.170]	▲11	1-747299-6
	▲4	4.32 [0.170]	▲11	1-747299-5
W/THREADED INSERTS PER DETAIL D	▲5	3.18 [0.125]	▲9	1-747299-3
	▲4	3.18 [0.125]	▲9	1-747299-0
WO/FEMALE SCREWLOCKS OR THREADED INSERTS AS SHOWN	▲5	6.35 [0.250]	▲9	747299-6
	▲5	4.32 [0.170]	▲9	747299-4
	▲4	3.18 [0.125]	▲10	747299-2
HARDWARE OPTIONS	CONTACTS			
	FINISH	C		PART NO

THIS DRAWING IS A CONTROLLED DOCUMENT.

DIMENSIONS: mm(INCHES)	TOLERANCES UNLESS OTHERWISE SPECIFIED:	0 PLC ± -	1 PLC ± -	2 PLC ± 0.13 [005]	3 PLC ± -	4 PLC ± -	ANGLES ± -	FINISH
		DWN D BROCKWAY 3-22-93		CHK R STONE 5-10-93		APVD -		NAME
		PRODUCT SPEC		108-40025		APPLICATION SPEC		114-40023
		MATERIAL		WEIGHT		SIZE		CAGE CODE
		CUSTOMER DRAWING		SCALE 4:1		SHEET 1 OF 1		REV L1

STE TE Connectivity

RECEPTACLE ASSEMBLY, SIZE 2, 15 POSITION, FRONT METAL SHELL, WITH OR WITHOUT SCREWLOCKS OR INSERTS.